

# VARIO CHEMISTRY PUMPING UNIT PC 2010 VARIO

vacuubrand

## PC 2010 VARIO

..... **8.2** m<sup>3</sup>/h  
 ..... **4.8** cfm  
 ..... **137** l/min  
 ..... **0.6** mbar  
 ..... **0.45** Torr

The PC 2010 VARIO is a high-end Chemistry Pumping Unit with an ultimate vacuum down to 0.6 mbar and a very high pumping speed of 8.2 m<sup>3</sup>/h (4.8 cfm). It is especially designed for high gas flow applications at low vacuum.

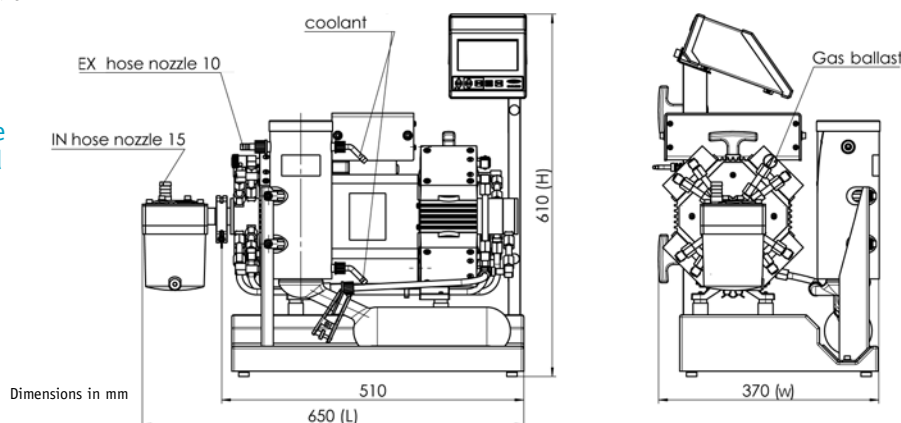


PC 2010 VARIO

### SPECIAL ADVANTAGES

- Four-stage design with high performance even at low vacuum levels
- Gas ballast for condensable vapours
- Automatic adaptation of the vacuum without programming
- Gas-contacting parts made of materials with high chemical resistance
- Solvent recovery next to 100%
- Shorter process times by continuously high evaporation rates
- Serial interface RS 232C

VARIO Chemistry Pumping Units always include the vacuum pump and an integrated vacuum controller with display and vacuum sensor.



### TECHNICAL DATA

TECHNICAL DATA		PC 2010 VARIO
Vacuum pump		Chemistry Diaphragm Pump MV 10C VARIO
Vacuum controller (see page 129)		CVC 2000 <sup>II</sup>
Max. pumping speed (DIN 28432) 50/60 Hz	m <sup>3</sup> /h//cfm	8.2//4.8
Ultimate vacuum	mbar//Torr	0.6//0.45
Ultimate vacuum with gas ballast	mbar//Torr	9//6.8
Inlet connection (IN)		adapter small flange NW 25/hose nozzle NW 15
Outlet connection (EX)		hose nozzle NW 10
Cooling water connection		2 x hose nozzle NW 6
Vacuum gauge head VSK 5, cable 2.5 m		small flange 16, hose nozzle NW 6/10
Protection class		IP 20
Dimensions (L x W x H)	mm	650 x 370 x 610
Weight approx.	kg	36.8

**Items supplied:** Chemistry vacuum pumping unit with diaphragm pump MV 10C VARIO on base plate, inlet separator and insulated exhaust vapour condenser, Vacuum Controller CVC 2000<sup>II</sup> on controller support, on/off switch, cable with plug and instructions for use.

### ORDERING INFORMATION

ORDERING INFORMATION		PC 2010 VARIO
230 V ~ 50-60 Hz	plug CEE	71 03 50
230 V ~ 50-60 Hz	plug CH	71 03 51
230 V ~ 50-60 Hz	plug UK	71 03 52

### ACCESSORIES

Electromagnetic air admittance valve VB M, small flange NW 16, hose nozzle NW 6/10	66 68 17
Cooling water valve 24V=, G 3/4", G 1/2", hose nozzle NW 6	67 60 13
Clamping and centring rings NW 25	see page 112 ff.
PTFE and stainless steel vacuum tubing	see page 117